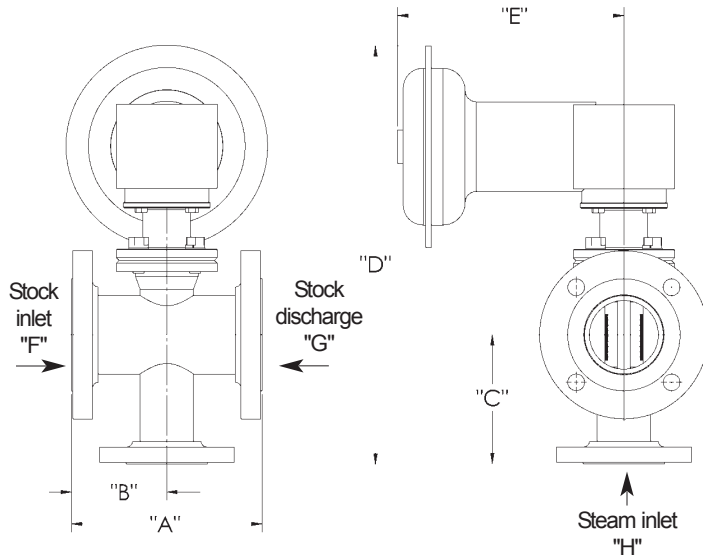


SOLARIS™ HYDROHEATER®

Direct Steam Injection Heaters for Medium Consistency Pulp Stock

Dimensions, Weights, and Flow Rates



Note: Dimensions are in inches (cm).

Model	A	B	C	D*	E	F,G	H	Weight lb (kg)	Water max. flow rate gpm (m ³ /h)
S103	9.50 (24.1)	4.75 (12.1)	5.75 (14.6)	20.00 (50.8)	10.50 (26.7)	3.00 (7.6)	2.00 (5.1)	75 (34)	700 (160)
S104	11.00 (27.9)	5.50 (14.0)	6.50 (16.5)	22.00 (55.9)	10.50 (26.7)	4.00 (10.2)	2.50 (6.4)	90 (41)	1,200 (270)
S106	13.00 (33.0)	6.50 (16.5)	8.50 (21.6)	28.00 (71.1)	15.00 (38.1)	6.00 (15.2)	4.00 (10.2)	160 (73)	2,700 (615)
S108	16.00 (40.6)	8.00 (20.3)	9.00 (22.9)	30.00 (76.2)	15.00 (38.1)	8.00 (20.3)	4.00 (10.2)	220 (100)	4,700 (1,065)
S110	18.75 (47.6)	9.38 (23.8)	11.00 (27.9)	36.00 (91.4)	25.00 (63.5)	10.00 (25.4)	6.00 (15.2)	350 (159)	7,400 (1,680)
S112	21.75 (55.2)	10.88 (27.6)	12.75 (32.4)	39.00 (99.1)	25.00 (63.5)	12.00 (30.5)	8.00 (20.3)	500 (227)	10,600 (2,405)
S114	21.25 (54.0)	10.63 (27.0)	14.00 (35.6)	41.00 (104.1)	25.00 (63.5)	14.00 (35.6)	8.00 (20.3)	600 (272)	12,400 (2,815)
S116	25.00 (63.5)	12.50 (31.8)	16.00 (40.6)	49.00 (124.5)	36.00 (91.4)	16.00 (40.6)	10.00 (25.4)	750 (341)	16,500 (3,745)
S118	25.50 (64.8)	12.75 (32.4)	17.00 (43.2)	49.00 (124.5)	36.00 (91.4)	18.00 (45.7)	10.00 (25.4)	825 (375)	21,200 (4,815)

* Includes removal clearance

Standard Construction

Body material: Stainless steel 316L

Internal wetted parts material: Stainless steel 316
Other materials available on request.

Connections: ANSI Class 150, ANSI Class 300, DIN 2500

Standard Actuator: Fisher diaphragm actuator
with integral pneumatic positioner

Pressure Rating: Up to 300 psi at 450° F
(20.7 bar at 232° C)

Features and Compliances

Heats low to medium consistency pulp stock
from .5 to 12%

Designed for viscosities up to 40,000 cP

Foolproof assembly

Can be installed in any orientation

Designed to ASME B31.1

In compliance with CSA B51 standards

100% Performance Warranty

Options

Special materials available upon request

Optional mounting supports

Optional integral steam and product pressure gauges

Optional digital positioner

Specify any one of four possible actuator
orientations (no charge)

Typical Installation

