

160

Adjustable regulator for high capacity

TECHNICAL SPECIFICATIONS:

- First stage regulator
- Inlet pressure 1,5 - 16 bar
- Outlet pressure 0,75 - 1,5 bar
- Capacity 100 kg/h - 150 kg/h *(dependent on inlet and outlet pressure)*
- OPSO *(optional)*
- PRV *(optional)*
- Pressure gauge *(optional)*
- PN 25

For further technical specifications on this regulator please see reverse.



80 years of proven experience

Discover more of our products at: www.bmv.dk

TECHNICAL SPECIFICATIONS:

160 Adjustable regulator for high capacity

About this regulator

Intermediate Pressure Regulator type MGE 160. The intermediate pressure regulator type MGE 160 is a regulator of 1st stage for LPG which reduces the non-regulated pressure of the gas cylinder to a fixed outlet pressure. The regulator is equipped with an over-pressure shut-off valve (OPSO) and a safety relief valve (PRV).

Mode of operation

The intermediate pressure regulator reduces the non-regulated pressure from the gas cylinder to nominal pressure. At an inadmissible rise of the outlet pressure of the regulator the activation pressure of the safety device (OPSO) will be reached which will then close by itself and block the gas flow before the regulator. Should an additional pressure rise occur e.g. through a not complete closing of the over-pressure shut-off valve (OPSO), the relief valve (PRV) will automatically release the gas flow in a limited quantity to the atmosphere after obtaining the fixed activation pressure.

DVGW Approved: according to EN 16129 / CE marking according to 2009/142/EC

Inlet pressure: 1,5-16 bar

Inlet connection: G1/4, G3/8, G1/2, G3/4, G1 or other on request

Outlet connection: G1/4, G3/8, G1/2, G3/4, G1 or other on request

Capacity: 100 kg/h - 150 kg/h (Propane)

Outlet pressure: 0,75 - 4 bar other on request

Pressure relief valve (PRV): 1,4 - 5 bar other on request

Over pressure shut off (OPSO): 1,2 - 4,7 bar other on request

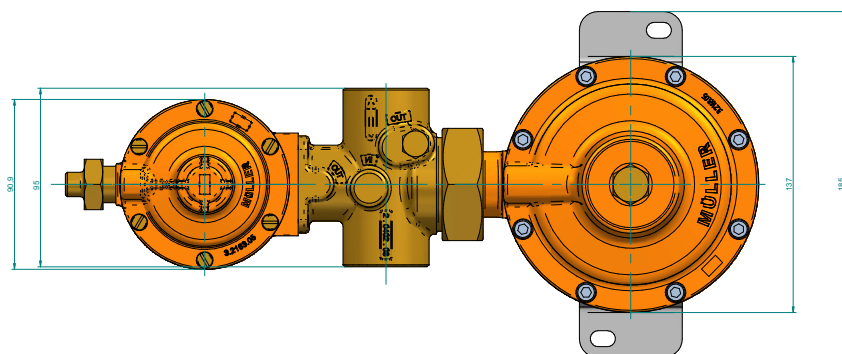
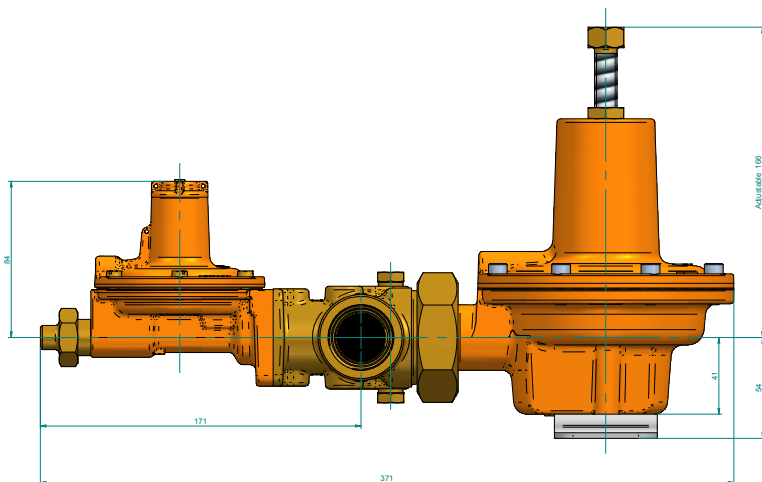
Regulator weight: Approx. 5 kg

Gas: LPG/LNG or on request

Working temperatur: -40°C to +80°C

Contact our Sales Department to place your order:

Phone: +45 73 42 12 12 · **info@bmv.dk**



Müller

GAS EQUIPMENT A/S

GAS CONTROL SOLUTIONS

Müller Gas Equipment A/S

Mommarkvej 7-11 · Vollerup · DK-6400 Sønderborg

Telefon: +45 73 42 12 12 · Fax: +45 73 42 12 07 · email: info@bmv.dk · www.bmv.dk

See our online catalogue



Type Approval and IS Authorisation Certificate by:
BAM
BAM-TPED-beP-2011/002