

H+VALVES

For 35 years, our company has developed its expertise in safety relief valves within **Techné GROUPE**

Our manufacturer + :

- Wide range of safety relief valves, from vacuum breaker to high pressure valves including low pressure through our subsidiary Rampini ;
- Fast delivery time ensured by our large stock for an on-demand mounting service;
- The ability to adapt our products to your market's needs;
- Flexible and fully integrated working units, from design to manufacturing, in France and Italy, for a better flexibility;
- ISO 14001 certified, meeting all environmental requirements.

DISCOVER OUR RANGE...

H+
VALVES



UNIVERSAL SERIES

Available in Carbon Steel, Stainless Steel, Bronze, Alloy C22.

DN 08 to DN 50.

Connections: Male/Female Gas or NPT;
Flange PN or Class;
Clamp or S.M.S.

Options :
Stellited seat
Elastomer and plastomer soft seat
Balanced type
Opening detection...



LOW PRESSURE SERIES

Available in Stainless Steel, Alloy C22, Uranus® B6...

DN 20 to DN 150.

Connections: Male/Female Gas or NPT;
Flange PN or Class;
Clamp or S.M.S.

Options :
Elastomer and plastomer soft seat



API SERIES

Available in Carbon Steel, Stainless Steel.

DN 25 to DN 150.

Connections: PN16 / PN40;
Class 150 / 300 / 300LT / 600.

Options:
Stellited seat
Different flanges facing
Opening detection
Balanced type...



THE SECURITY
OF YOUR INSTALLATIONS
FOR AN ABSOLUTE PROTECTION

H+
VALVES

Phone: +33 (0) 4 72 54 40 11
Fax: +33 (0) 4 78 43 91 01
sales@hvalves.com

H+VALVES SAS
557, Impasse les saillants
F-69380 Chessy-les-mines



H+VALVES, une société de **Techné GROUPE**



H+VALVES CERTIFICATIONS



ISO 4126
API 520/526/527
API 2000



Pressure relief valve, vacuum breaker valve, breather valve and emergency vent for atmospheric storage tanks.

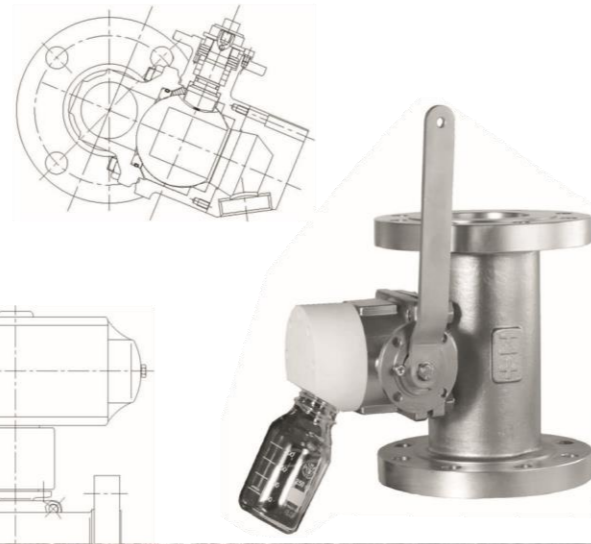
Available in Carbon Steel, Stainless Steel, aluminium and on demand in Hastelloy® or Duplex.

DN 50 to DN 600.

Connections: Flange PN10 / PN16;
Flange Class 150.

Options:

Dead weight load or spring load
Elastomer or plastomer diaphragm
HALAR® coating with PTFE bellows...



SAMPLING SERIES

Available in Stainless Steel.
Vertical or horizontal mounting due to our innovative concept of rotating heads.

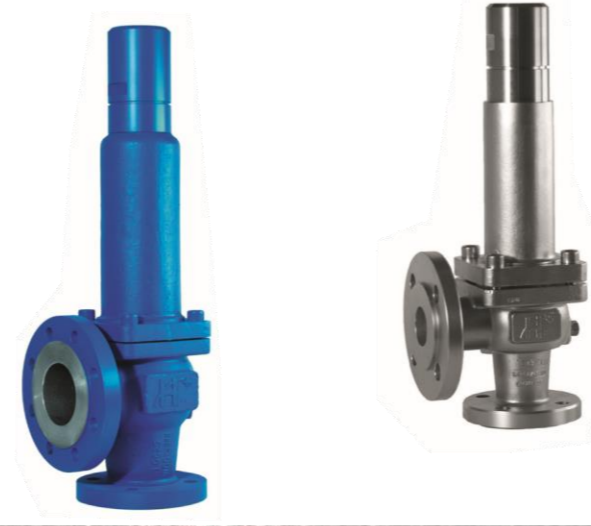
DN 20 to DN 200 (defined sampling volume of 25/50 et 100ml).

Connections: Flange PN16/ PN40/ Class 150 / Class 300 ;
Flange Class 150/ 300.

Compatibility and perfect chemical resistance with components in PTFE, PEEK, FKM, FFKM or PFA coating depending on the application.



Liquid



LARGE SERIES

Available in Cast Iron, Carbon Steel, Stainless Steel.
Full nozzle or semi nozzle.

DN 20 to DN 150.

Connections: Flange PN16 / PN40;
Flange Class 150 / Class 300.

Options:

Stellited seat
Elastomer soft seat
Balanced type



Liquid, Gas, Steam



COMPACT SERIES

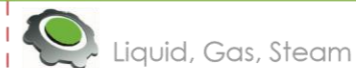
Available in Stainless Steel.

DN 08 to DN 15.

Connections: Male Gas or NPT;
Female Gas or NPT;
Clamp.

Options:

Elastomer soft seat
Hand lever.



Liquid, Gas, Steam

THE SECURITY
OF YOUR INSTALLATIONS
FOR AN ABSOLUTE PROTECTION

H+
VALVES

PRODUCT LINE



Gas