

safe and reliable



Type KVII/F

Quick-Closing Valve for Gaseous Media Electro-Pneumatic Operated

Edition: 05.18

Subject to change without notice

APPLICATION AREA

- > Gas firing systems on steam boilers
acc. to DIN EN12952/12953
- > Industrial thermoprocessing equipment
acc. to DIN EN 746
- > Pipe systems for fluids and gaseous media
for all industrial sectors

ADVANTAGE

- > Closing time < 1 sec
- > High safety level through zero leakage
- > Heavy duty design for high operating cycles
- > High performance valve design for long service life



safe and reliable

Type KVII/F

Quick-Closing Valve for Gaseous Media Electro-Pneumatic Operated



DN 65-300 PN 16

APPLICATION

- > Automatic operated emergency shutdown device
- > In gas pipes in front of burner
acc. to DIN EN12952/12953
- > Safety and control device for gas burner
- > Automatic shut-off valve in piping systems

TECHNICAL DATA

- > Single-seated straight-through globe valve
acc. to DIN/EN standard
- > Stem sealing acc. to TA-Luft,
stainless steel bellow with additional lip seal and
connection for tightness test
- > Exchangeable plug gasket
- > Maintenance-free guide bushing
- > Additional sealing force generated through primary
pressure loaded onto the valve plug
- > Piston actuator with integrated closing spring

CERTIFICATES

EC-Type examination (Modul B)

acc. to directive 2014/68/EU

EC- Type examination certificate

with product-identnumber

acc. to gas appliance regulation EU/2016/426

based on:

DIN EN 13611 / DIN EN 161 / DIN EN 16678

Certificate:

- > TA-Luft
DIN EN ISO 15848-1
VDI 2440
- > SIL2 / EN 61508
- > Fire-safe
DIN EN ISO 10497 / API 607

OPERATING DATA

- Media:**
- > Gaseous fuels
acc. to PED 2014/68/EU
 - > Fuels acc. to G260;
gas group 1., 2. and 3
 - > Other gaseous media
- Operating pressure:** Max. 12 bar g
- Operating temperature:** -29 to 180 °C
- Ambient temperature:** -29 to 80 °C
- Control medium:** Compressed air at 4-8 bar g
- Air quality:** acc. to DIN ISO 8573-1
- Control voltage:** 230 V, 50 Hz, 24 V DC
- Power:** 10.6 VA / 6.8 W
- IP Protection Class:** IP 65
- Mounting position:** no restriction
- Mounting location:** Indoor/Outdoor

OPTION

- > Quick-closing valve with integrated control
characteristic for soft opening
- > Combination with electro-pneumatic positioner for
selective flow control

REMARKS

Acc. to DIN EN12952/12953 it is advised to install strainer
in front of shut off valve. (Kühme SF / SFY)

safe and reliable

Type KVII/F

Quick-Closing Valve for Gaseous Media Electro-Pneumatic Operated

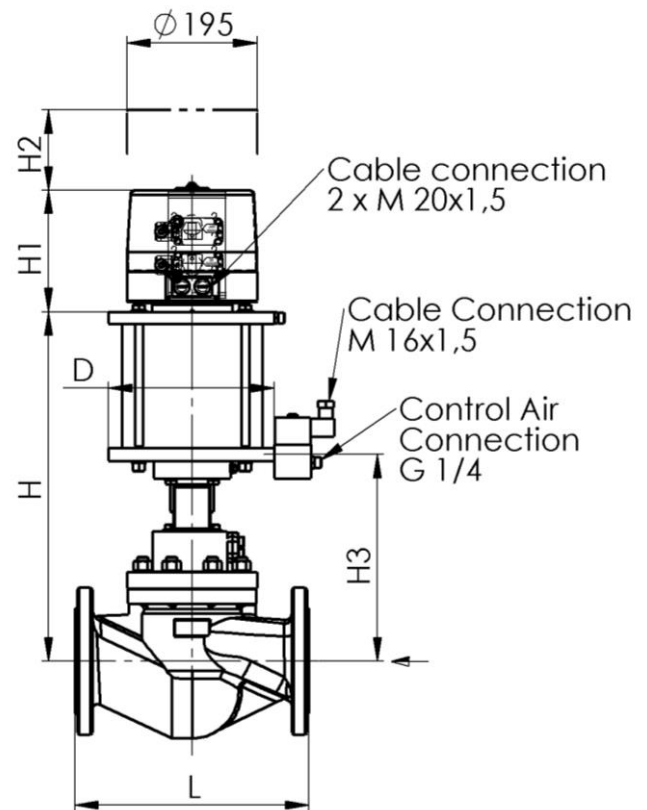


DN 65-300 PN 16

DIMENSIONS

DN	bar	mm						kg
	Max. Operating pressure*	L	D	H	H ₁	H ₂	H ₃	Weight
65	8	290	200	520	180	120	307	46
65	12	290	250	520	180	120	307	46
80	5	310	200	525	180	120	310	55
80	12	310	250	525	180	120	310	55
100	3	350	200	525	180	120	315	70
100	12	350	250	525	180	120	315	70
125	1,5	400	200	660	250	180	400	85
125	5	400	250	660	250	180	400	85
125	6	400	315	660	250	180	400	85
150	1	480	200	660	250	180	400	100
150	3,5	480	250	660	250	180	400	100
150	6	480	315	660	250	180	400	100
200	1,5	600	250	745	250	180	420	170
200	3,5	600	315	745	250	180	420	170
200	6	600	370	745	250	180	420	170
250	2	730	315	870	250	180	535	290
250	3	730	370	870	250	180	535	290
300	1,25	850	315	890	250	180	555	450
300	2	850	370	890	250	180	555	450

*Max. Functional pressure with compressed air 4 bar g;
Flange dimension acc. to EN 1092-1/B1;



PARAMETER

Nominal diameter DN	65	80	100	125	150	200	250	300
Max. Service pressure (PS) in bar g	12	12	12	6	6	6	3	2
k _{vs} - value m ³ /h (max.)	75	105	170	270	405	675	1090	1460
Closing time	< 1 Second							

ACCESSORIES*

QTY	Accessories
1	Quick venting valve
1	3/2-way solenoid valve, directly actuated, pressure 0 to 8 bar
2	Limit switch as mechanical cam switch or proximity switch
1	Protection cover, transparent, for limit switch and optical position indication

MATERIALS*

Body:	GP240GH
Valve seat:	cladded with 1.4551
Plug gasket:	Elastomer
Bellow:	1.4541
Stem:	1.4021
Actuator:	Steel/Aluminium
Sealing parts:	Elastomer

* Other materials and accessories are available on request.

safe and reliable

Type KVII/F

Quick-Closing Valve for Gaseous Media Electro-Pneumatic Operated



DN 65-300 PN 16

