

Integral piston style inlet and outlet isolation valves

Armstrong connector adaptable to inverted bucket, disc, thermostatic, thermostatic wafer, bimetallic, and float and thermostatic steam traps. Any other manufacturer's 2-bolt steam trap can also be applied to Armstrong's TVS-5000 connector.

Connection flexibility
(SW, NPT, BSPT options)

Test valve used to test and evaluate trap operation

Blowdown valve

Model shown TVS-5211

Description

Armstrong's TVS-5000 is designed as a one piece body equipped with a piston valve(s) combined with a removable steam trap mounted with a connecting flange.

Maximum Operating Conditions

Maximum Allowable Pressure†:	45 bar @ 315 °C
Maximum Allowable Temperature :	315 °C
Maximum Operating Pressure :	45 bar
Maximum Hydrostatic Pressure :	68 bar

Materials – TVS-5000 Connector

Connector:	ASTM A350 LF2
Test valve:	ASTM A582 T303
Blowdown valve:	ASTM A582 T303

Isolation Valve Components

Valve sealing rings :	Graphite & Stainless Steel
Bonnet :	ASTM A350 LF2
Bolts :	DIN 933 8.8
Valve plug :	ASTM A564 17-4 H900
Lantern bushings :	ASTM A582 T304
Valve washer :	ASTM A582 T304
Disc springs :	AISI T301
Nut :	AISI T304
Handwheel :	Ductile Iron

† May be derated depending on flange rating and type.

Weight

3, 660 kg (without any trap)

Features

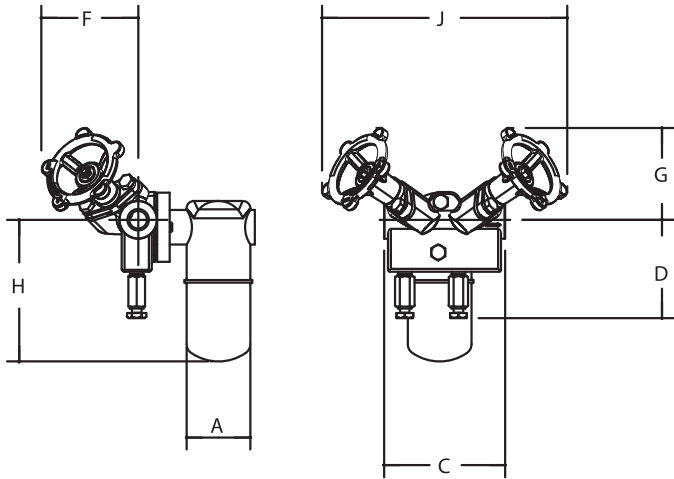
- **Reduced costs.** TVS-5000 saves on these fronts : reduced leak points, installation and maintenance time.
- **Reduced design time.** Permits combining products with exact face-to-face dimension.
- **Easy, in-line repairability.**
- **Simplified trap testing.** TVS enhances your capability to check trap operation and offers a built-in method to block and bleed traps.

TVS-5000 Series Forged Steel Trap Valve Station



Model	Connection	Type of Connection Inlet/Outlet	Flow Direction	Trap Type
	1/2" 3/4"	NPT SW BSPT Flanged*	R = Right to Left L = Left to Right	Inverted Bucket Disc Thermostatic wafer Bimetallic F&T

*Consult factory.



Pipe Connections	15 – 20
"A" Trap Diameter	68
"C" Face to Face (screwed NPT and socketwelded models)	122
"D" Connection \varnothing to bottom	99
"E" Connection \varnothing to Outside of Trap	117
"F" Connection \varnothing to Front of Handwheel (Valve Open)	98
"G" Connection \varnothing to Top of Handwheel (Valve Open)	108
"H" Connection \varnothing to Bottom of Connector	143
"J" Width Across Handwheels (Valve Open)	270

Pressures and capacities depending on the steam trap mounted on the Trap Valve Station.

Materials – TVS-5000 Connector

Connector:	ASTM A350 LF2
Test valve:	ASTM A582 T303
Blowdown valve:	ASTM A582 T303

