

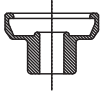
## OPW AUTOGAS NOT300 SERIES LPG NOZZLE

The B/N OPW Autogas NOT300 with Trigger Release is the NEW B/N design for the Italian-Type coupling. Nozzle inlet has 1" NPT threads. All B/N OPW LPG fueling nozzles are built to exacting engineering specifications for fueling safety and efficiency.

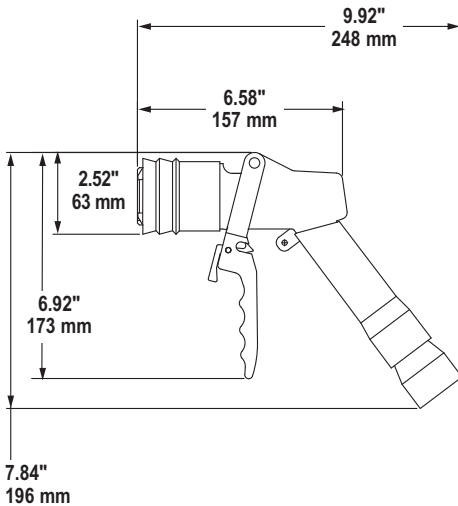


OT420  
Rubber Cover

NOT300 connects to  
Italian Dish Coupler  
(Shown Below)



NOT300



ONE COMPANY. ONE WORLD. ONE SOURCE.™

### Materials

- Body:** aluminum
- Internal Components:** brass and steel
- Seals:** specially formulated polymers and elastomers specific to LPG applications.
- External Components:** aluminum, stainless steel, brass



OT321



NOT300

### Features

- ◆ **User Friendly Single-Action Operation**  
Entire fueling operation is initiated by simply engaging nozzle and receptacle with a single squeeze of the hand.
- ◆ **Nozzle Lock** – Nozzle is safely locked into the fueling position until trigger on the lever is pushed to release nozzle.
- ◆ **Hammer-Lock Technology** – Maximum durability. Designed specifically for frequent coupling and uncoupling.
- ◆ **Durable Construction** – Heavy-duty brass, aluminum and stainless-steel construction provides excellent corrosion resistance in the harsh fueling environment.
- ◆ **Ease-of-Use** – Incorporates a single plane 360 degree inlet swivel.
- ◆ **Safety** – Will not dispense gas until securely engaged onto an appropriate receptacle.
- ◆ **Individually Leak Tested and Inspected with Traceable Serial Numbers.**
- ◆ **Replaceable Rubber Cover** – Deflects venting LP gas away from operator's hand.
- ◆ **Ergonomic Design** – Insulated handle protects operator from temperature effects created by high flowing LP gas. Minimal force required to engage nozzle.

### Specifications:

- Maximum Operating Pressure:** 350 psi (24 bar)
- LPG Discharge on Disconnect:** 4.3cc
- Weight:** 3.43 lbs (1.56 kg)
- Locking Release:** Trigger on Lever
- Coupling Style:** Italian Style
- Temperature Range:** -40° F to 185° F C  
(-40° C to 85°)

Also available in brass models.

### Ordering Specifications

Product No.	Inlet Thread Size	Max. Allowable Service Pressure	
NOT300	1" NPT	350 psi	24 bar
OT321	3/4" NPT Adaptor		

All LPG Autogas nozzle are available in BSP and NPT threads.



North America Toll Free – TELEPHONE: (800) 422-2525  
 Fax: (800) 421-3297 ♦ Email: domestic@opw-fc.com  
 International – TELEPHONE: (513) 870-3315 or (513) 870-3261  
 Fax: (513) 870-3157 ♦ Email: intl@opw-fc.com ♦ www.opw-fc.com  
 9393 Princeton-Glendale Road ♦ Hamilton, OH 45011

### Important

FlexWorks by OPW, Inc., VAPORSAVER™ and all other OPW products must be used in compliance with all applicable federal, state, provincial and local laws, rules and regulations. Product selection must be based on physical specifications and limitations, compatibility with the environment and material to be handled. All illustrations and specifications in this literature are based on the latest production information available at the time of publication. Prices, materials and specifications are subject to change at any time, and models may be discontinued at any time, in either case, without notice or obligation. OPW warrants solely to its customer that the following products sold by OPW will be free from defects in materials and workmanship under normal use and conditions for the periods indicated.