



SRV 275 D

Safety Relief Valve

The 275 D relief valve is installed downstream of pressure regulators to relieve limited volumes of gas. Used where venting to the atmosphere is acceptable, it provides a cost-effective solution to prevent safety shut-off valves from triggering in case of thermal expansion, transient pressure surges, and creep leaks from regulators. This valve is ideal for low pressure settings due to the increased sensitivity provided by a large diaphragm area.

KEY BENEFITS

- » Accurate operation
- » Tight shut-off
- » Durable
- » Approved by German DVGW

DESCRIPTION

The 275 D relief valve is a spring-loaded throttling relief valve, where a diaphragm measures the system (inlet) pressure, a spring provides the initial load to the diaphragm and establishes the relief set point, and a valve throttles the relief flow.

Technical Specifications

Maximum relief (inlet) pressure	16 bar
Relief set pressure range	20 to 500 mbar
Operating temperature	-20°C to +60°C
Acceptable gases	Natural gas, propane, butane, air, nitrogen and all non-corrosive gas

Sizes & Connections

Sizes	DN 20, 25
Type	Gas female threaded - G ¾", G 1" threaded to ISO 228/1 (NPT, BSPT on request)

Materials

Body-Casing-Cover	GGG 40
Actuator	GGG 40
Orifice	Brass
Internal parts	Brass, Steel, zinc coated
Seals / O-Rings	NBR rubber / Viton
Diaphragm	NBR rubber, fabric reinforced

Relief Set Pressure Ranges

Spring Code	Spring Color	Wire (Ø mm)	Spring Range
955-200-10	Green	2.0 mm	20 - 30 mbar
955-200-11	Orange	2.4 mm	25 - 60 mbar
955-200-12	Black / White	3.0 mm	40 - 120 mbar
955-200-83	Silver	3.4 mm	80 - 220 mbar
955-200-84	Black	4.0 mm	150 - 500 mbar

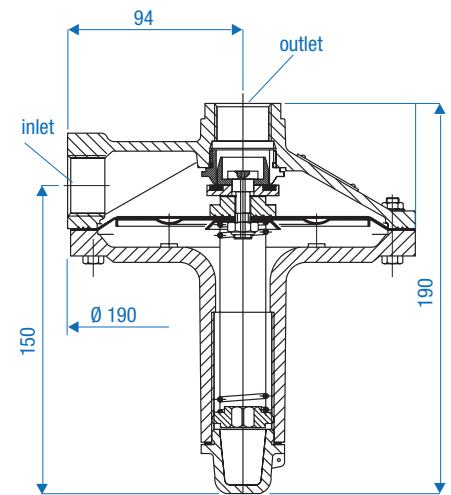
Accuracy

Accuracy at the initial leak point, at which the relief valve begins to discharge, is in the range of $\pm 2.5\%$ of the setting when it is above 80 mbar, and in the range of $\pm 5\%$ of the setting when it is below 80 mbar.

Flow Capacity

Relief Set Pressure (mbar)	Buildup Over Relief Pressure Setting (mbar)	Capacity at Standard Conditions (m ³ /h)
20	50	24
20	75	32
20	100	38
100	120	28
100	200	48
100	300	60
200	240	48
200	300	61
400	450	54
400	500	65
500	550	65
500	600	71

Overall Dimensions (mm)



Standard conditions:

- Absolute pressure of 1.013 bar
 - Temperature of 15°C
- The flow rates are indicated for a 0.6 specific gravity gas

Information to be specified when ordering:

- » Model
- » Inlet pressure
- » Relief pressure range
- » Connection type
- » Maximum flow rate
- » Kind of gas
- » Quantity required



Our company is the world's leading provider of smart metering, data collection and utility software systems, with over 8,000 utilities worldwide relying on our technology to optimize the delivery and use of energy and water.

To realize your smarter energy and water future, start here: www.itron.com

For more information, contact your local sales representative or agency:

ITRON GmbH

Hardeckstraße 2
D-76185 Karlsruhe
Germany

Phone: +49-721 5981 0

Fax: +49-721 5981 189