

SRV 803

Safety Relief Valve

Applications

The 803 relief valve is installed downstream of pressure regulators to relief limited volumes of gas. Used where venting to the atmosphere is acceptable, it provides a cost-effective solution to prevent safety shut-off valves from triggering in case of creep leaks from regulators.

This valve is ideal for medium pressure settings and offers a wide setting range and robust performance.

Description

The 803 relief valve is a spring-loaded throttling relief valve, where a diaphragm measures the system (inlet) pressure, a spring provides the initial load to the diaphragm and establishes the relief set point, and a valve throttles the relief flow.

Technical Features

Maximum relief (inlet) pressure	5 bar
Relief set pressure range	0.15 - 5 bar
Operating temperature	-20°C to +60°C
Acceptable gases	Natural gas, town gas, propane, butane, air, nitrogen or any non-corrosive gas

Sizes & Connections

Sizes	DN 1"
Type	Gas female threaded

Materials

Body-Casing-Cover	Spheroidal graphite cast iron SFP 50
Valve	Nitrile Rubber
Diaphragm	Rubber, fabric reinforced
Internal Parts	Brass and Stainless Steel

Flow Capacity

Relief Set Pressure (mbar)	Buildup Over Relief Pressure Setting (mbar)	Capacity at Standard Conditions (m ³ /h)
0.8	80	38
0.8	160	96
1.5	150	48
1.5	300	125

Standard conditions:

- Absolute pressure of 1.013 bar
- Temperature of 15°C

The flow rates are indicated for a 0.6 specific gravity gas

SRV Spring Selection Tables - DN 1"

SRV	Spring Code	Spring Characteristics				Wu (mbar)	Maximum Available Relief (inlet) Pressure mbar
		d	De	Lo	Lt		
SRV 803	20565125	2.5	35	50	6	0.15 ÷ 0.25	2.50
	20565126	3	35	50	6	0.20 ÷ 0.68	2.50
	20565127	3.5	35	50	6	0.20 ÷ 0.85	2.50
	20565128	4	35	50	6	0.40 ÷ 1.50	2.50
	20565129	4.5	35	50	6	0.50 ÷ 2.30	2.50
SRV 803/TR	20565127	3.5	35	50	6	0.40 ÷ 1.30	5.00
	20565128	4	35	50	6	0.80 ÷ 2.20	5.00
	20565129	4.5	35	50	6	1.80 ÷ 2.30	5.00
	20565131	5	35	60	6.5	2.50 ÷ 5.00	5.00

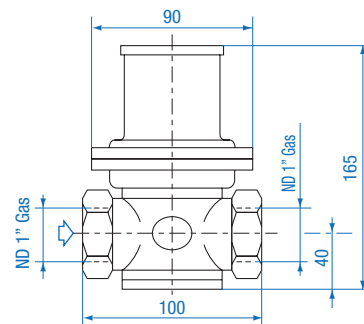
Note: Accuracy at the initial leak point, at which the relief valve begins to discharge, is in the range of ± 5% of the setting.

Spring characteristics:

d : wire diameter Lo : height
De : external diameter Lt : no. of spires

- > Compact design
- > Accurate operation
- > High flow capacity
- > Easy maintenance
- > Reliable
- > Tight shut-off

Overall Dimensions (mm)



> Type SRV 803/803/TR / Weight 2.2 kg

Information to be specified when ordering:

- Model
- Inlet pressure
- Relief pressure range
- Connection type
- Maximum flow rate
- Kind of gas
- Quantity required

About Itron Inc.

Itron Inc. is a leading technology provider to the global energy and water industries. Our company is the world's leading provider of metering, data collection and utility software solutions, with nearly 8,000 utilities worldwide relying on our technology to optimize the delivery and use of energy and water. Our products include electricity, gas and water meters, data collection and communication systems, including automated meter reading (AMR) and advanced metering infrastructure (AMI); meter data management and related software applications; as well as project management, installation, and consulting services. To know more, start here: www.itron.com

For more information, contact your local sales representative or agency.

Itron

Itron GmbH.

Hardeckstraße 2
D-76185 Karlsruhe
Germany

Phone: +49-721 5981 0

Fax: +49-721 5981 189

www.itron.com